

# TECHNICAL BULLETIN: STRONGARMPARK DC

Date: 4/17/2017

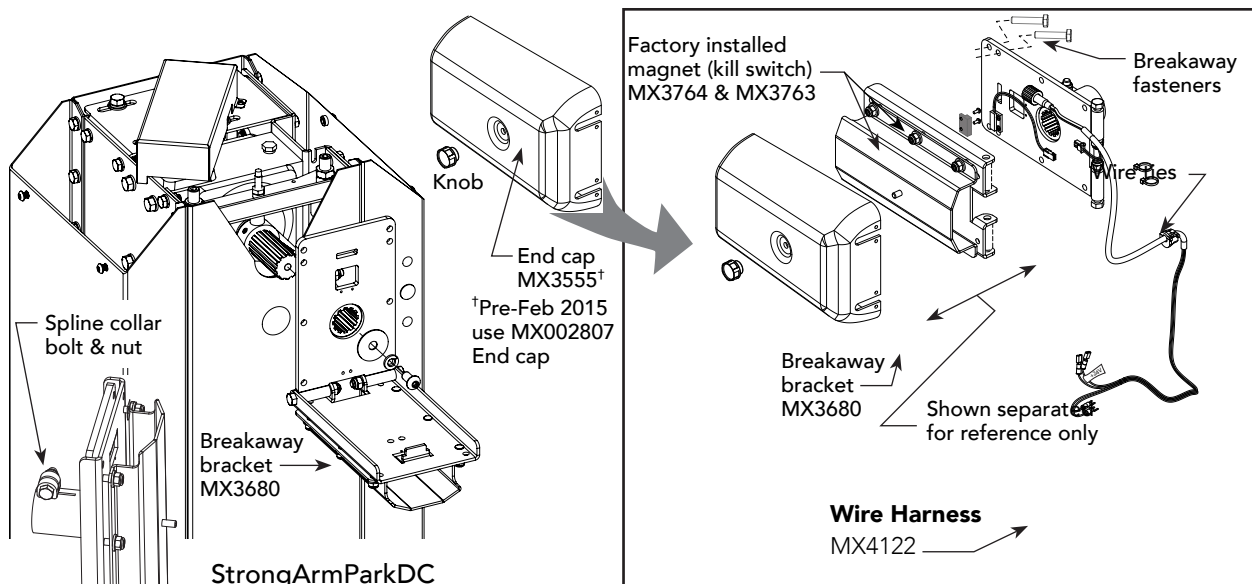
**Operators Affected:** All StrongArmPark DC operators

As of April 17, 2017, all models of StrongArmPark DC gate operators shipped from the factory include:

- [Breakaway arm assembly bracket](#) (MX3680). Click on the [video link](#) for assembly and programming.\*
- Magnet (MX3764) & magnetic switch (MX3763). To operate, Installer Menu item BA must be set to 1.
- Wiring harness (MX4122) for magnetic switch and LED arm lights

**HySecurity Sales contacts know the various configurations to make sure any changes at your site are handled well. Be sure to review the HySecurity Price Book for part numbers and know your gate operator serial number before contacting HySecurity or your distributor.**

**NOTE:** \*An [eight minute video](#) shows the steps involved in bracket assembly, connecting the magnetic kill switch, installing the arm lighting, feeding wire through the chassis to the controller, attaching wires and programming the controller. Upgrade kit MX4050 ships with Installation Instructions for both articulating arms and straight arms.



MX4050 Kit: Breakaway Bracket Assembly with Kill Switch & Lighted Arm Wire Harness

## Obsolete Parts and their Replacements

Obsolete Part Number	Replaced by P/N	Description of Replacement Part
MX3579-XX	MX4182 (-08, -09, -10, -12, -14)	Arm Assembly, lighted (8 ft, 9 ft, 10 ft, 12 ft)
N/A	MX4010 (-06, -01, -02)	Articulating Arm Assembly, lighted (7 ft, 8 ft, 9 ft)
MX3105	MX3680	Breakaway arm bracket
MX3558	MX4122*	Wire harness for arm lights & magnetic kill switch
MX3558*	MX4123*	<b>Wire harness for arm lights only</b> (Pre-April 17, 2017)

**NOTE:** \*See page 2 for Light Kits. Be aware that the arm lights' wire harnesses are not interchangeable. If you try to connect an obsolete arm light cable with a newer wire harness, the arm light connection will not seal properly.

# StrongArmPark DC Light Kits & Compatible Wire Harnesses

On April 17, 2017, HySecurity began shipping StrongArmPark DC with an improved arm mount bracket assembly that senses when the arm breaks away. An integrated wire harness provides connections to both arm lights and the magnetic breakaway switch. If you wish to upgrade StrongArmPark DC gate operators manufactured prior to April 17th 2017, review the chart below, prior to placing your order.

Manufacture Date of Gate Operator	What are you ordering?	Part Number	Includes
April 17, 2017 and later	LED Light Kit (in production)	MX4124 MX4008, MX4009	Arm lights. Articulating Arm lights used with MX4010-XX
April 16, 2017 back to February 2015	LED Light Kit	MX4225	Arm light connections only for the Smart DC Controller. Includes MX4123 light wire harness which replaces obsolete part MX3558.
pre-February 2015	Light Kit (rope lights)	MX2715	Arm light connections only for the Smart DC Controller & light harness MX3217. In use until stock exhausted.

## StrongArmPark DC MX4050 Breakaway Arm Bracket Assm Kit

Manufacture Date of Gate Operator	What are you ordering?	Part Number	Includes
Prior to April 16, 2017	Breakaway Arm Bracket Assembly kit with "kill" switch	MX4050	Breakaway bracket with arm lights and magnet switch connections for the Smart DC Controller. Includes wiring harness MX4122 *

### Retrofit Requires Hole Drilled in Chassis

#### Tools Required

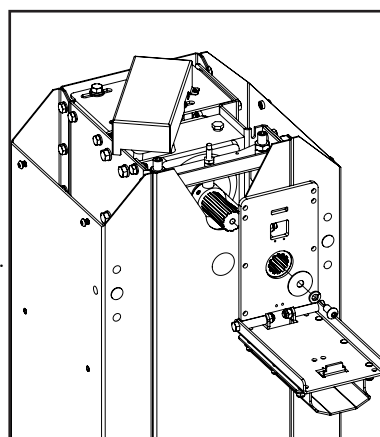
- Step drill set
- Electric drill

To retrofit a StrongArmPark DC with the MX4122 wire harness (Arm LED lighting and breakaway magnetic switch), you will need to drill a 5/8-inch hole in the chassis. The hole location is the same as the center plug shown in the photo.

The hole provides a means to feed the wire harness through the chassis and attach connectors to the controller for power and programming purposes.

Review the installation video at the following link.

<https://youtu.be/AdTWNyC-NU>

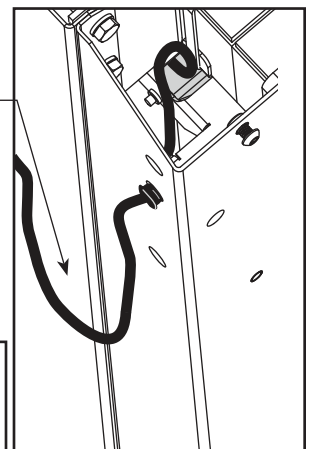


**Attach Breakaway Bracket Assembly**

Remove center plug to feed wire harness cable through chassis.

Remove smaller plugs to mount articulating arm strut.

Cable loop length:  
8-inches (20 cm)



**Feed Cable Harness through Chassis**

**NOTE:** If center chassis hole does not exist, you will need to drill a 5/8-inch hole for wire harness.

**Remove Plugs in Chassis**

In a short 8 minutes, the installation video shows you how to:

1. Install the breakaway arm bracket.
2. Connect the magnetic kill switch.
3. Connect the arm lighting and feed wire through the chassis to the controller.
4. Program the controller.