

455D Control Board Updates

1. UL325 Ed. 7 New Requirements

The new UL325 Ed. 7 require a minimum of one monitored entrapment protection device for swing gates, and also prohibits having a simple way to disable the monitoring of that device. For this reason the current version of 455D board implements some changes to the way the Fail Safe (monitoring) is implemented.

Monitoring is now active by default on the Closing Safety photocell input, and can't be disabled by the user. A Closing Safety photocell must be installed at all times. The Opening Safety monitoring is still configurable. In case the application requires two separate opening safety devices the STOP input is also configurable as a second monitored opening safety.

These are the changes to the configuration parameters in the Advanced Programming Menu:

The FS parameter now enables the monitoring (Fail Safe) only on the opening safety input FSWOP.

ADVANCED PROGRAMMING (F) + (+)		
Display	Function	Default
FS	<p>OPENING FAIL SAFE: If this function is activated, it enables the monitoring of the opening safety photocell before the opening movement. If the test fails the gate does not open</p> <p>4 = Active no = Disabled</p>	no

A new parameter is available to enable monitoring (Fail Safe) during opening of a photocell connected to the STOP input.

OP	<p>OPENING No. 2 FAIL SAFE: When enabled the STOP input acts as a second monitored opening safety device.</p> <p>4 = Active no = Disabled</p>	no
----	--	----

2. Gate status information

The new version of the 455D board also gives the possibility to check the status of the gate, using the Warning Lamp output pin 20.

With SP=1 the output will be active when the gate is in the open position

With SP=2 the output will be active when the gate is in the closed position

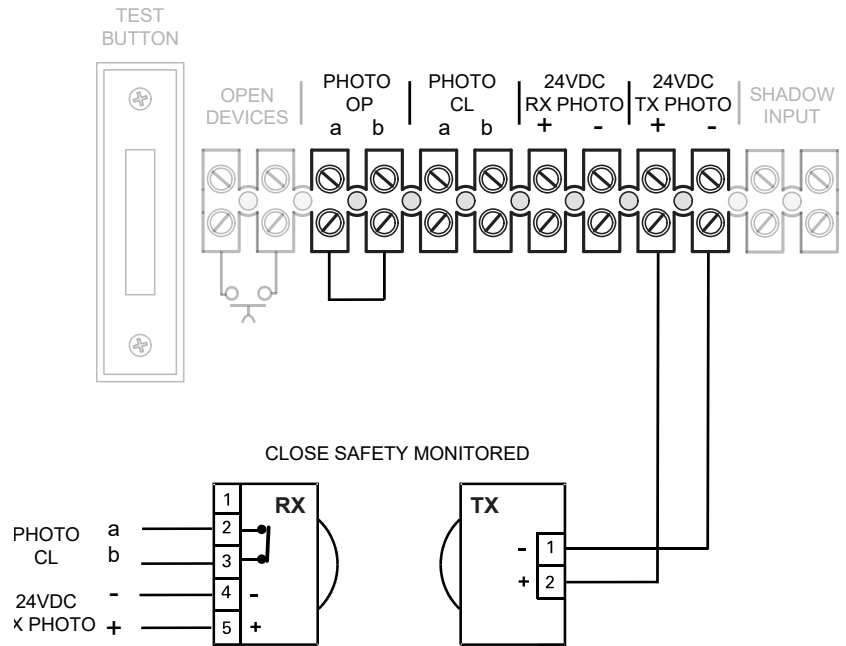
Display	Function	Default
SP	<p>INDICATOR-LIGHT: 0 : the output functions as a standard indicator-light (ON at opening and pause, flashing at closing, and OFF when gate is closed). 1 : the output is ON when the gate is open or in pause. OFF in all other conditions. 2 the output is ON when the gate is closed. OFF in all other conditions.</p> <p>All other values correspond to the extra time compared to normal work time (opening or closing) when the output can be used - via a relay - to power a courtesy light. Time can be adjusted from 1 to 59 sec. in 1 sec. steps, and from 1.0 to 4.1 min. in 10 sec. steps.</p>	0

Wiring Examples

Connection of one monitored Closing Safety photocell (mandatory)

ADVANCED PROGRAMMING

FS = no



Connection of one monitored Closing Safety photocell (mandatory) and one monitored opening safety photocell

ADVANCED PROGRAMMING

FS = Y

